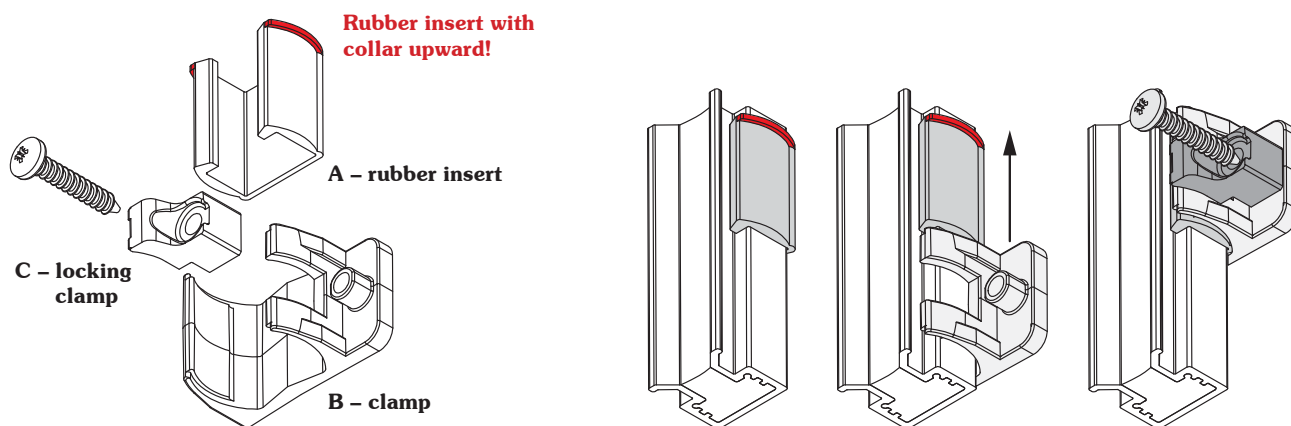


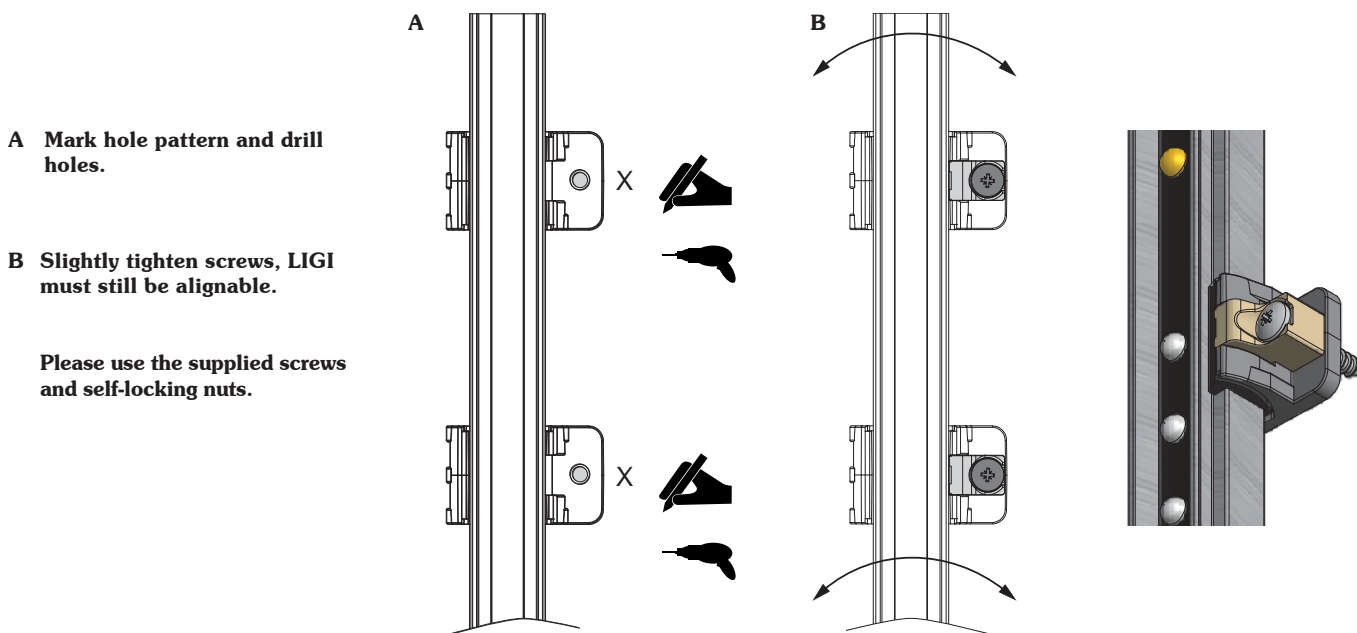
1. Correct mounting of alignment clamp

Please check available space for the light curtain to avoid damages caused by the moving door.



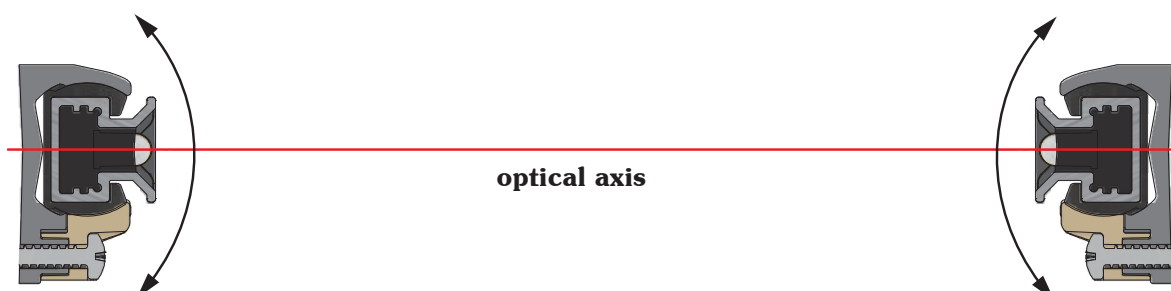
2. Connection cable must always face upwards

Transmitter and receiver must be leveled, topmost and lowest alignment clamps have to be mounted max 100mm of light curtain end and additional clamps with a max distance of 600mm.



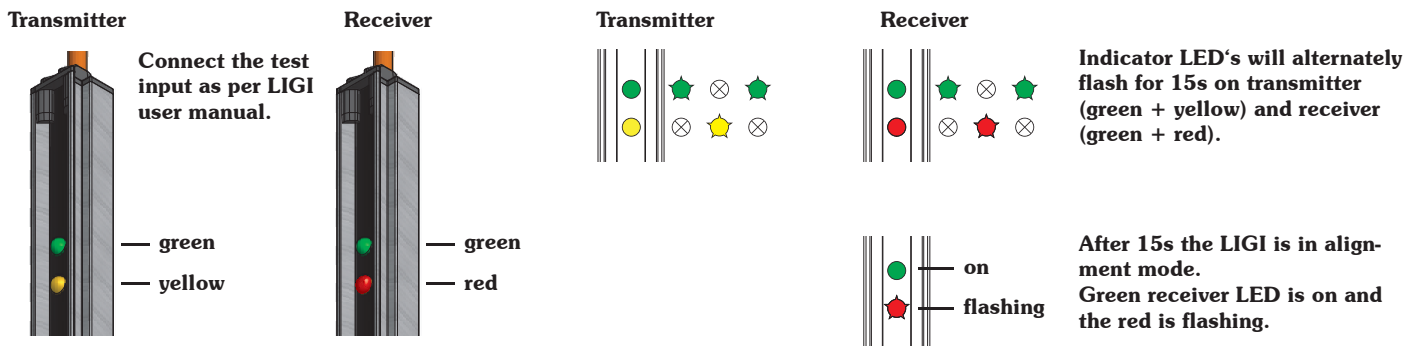
3. Alignment of optical axis

Align optical axis of transmitter and receiver to one another. Connect LIGI according to user manual.

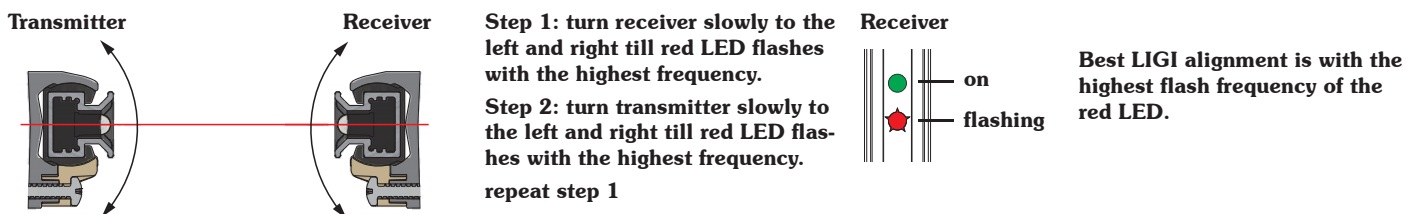


4. Alignment mode

Once roughly aligned please switch into alignment mode (OSE = green wire of transmitter, PNP = black wire of transmitter).



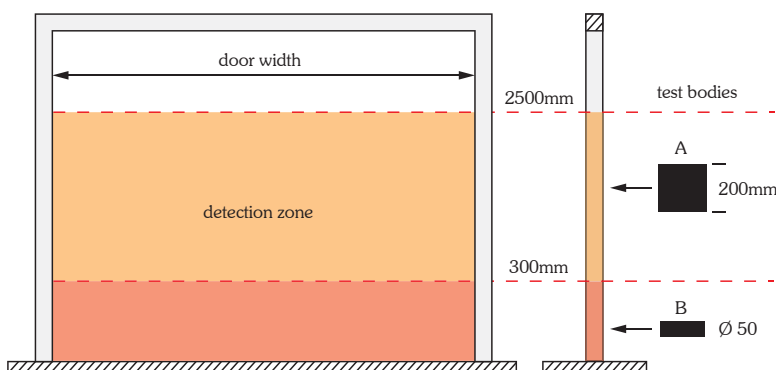
5. Optimal alignment



Tighten screws of the alignment clamps. Switch into normal operation by leaving the alignment mode. Please make sure that the door movement does not interfere with the light curtain operation.

6. Electro-sensitive protective equipment

The Witt LIGI light curtain provides a non-contact solution, on completion of the installation of the light curtain the door needs to be tested according to the relevant local standards.



Testing for safe and reliable performance of the LIGI

According to the door standard EN-12445 the specified test bodies have to be identified within the detection zone.

A test has to be performed to rule out possible reflections of the light beam.